

INSTALLATION INSTRUCTIONS

DESCRIPTION: Sport Windscreen

PART NUMBER: BAT-F83J0-V0

MODEL: 2021+ MT-07



⚠ WARNING

Please read and understand these instructions completely before installation to avoid possible injury, or damage to the accessory or vehicle.

WARRANTY INFORMATION:

In the United States, see your Yamaha dealer for a copy of the Yamaha Genuine Parts and Accessories Limited Warranty.

NOTICE:

Installation of this kit requires a torque wrench and should be performed by an authorized Yamaha dealer or a qualified mechanic.

DEALER OR INSTALLER:

These instructions contain important information for future reference and *must* be given to the customer.

PARTS LIST:

No.	Part Number	Description	Qty
--	BAT-F83J0-V0	Sport Windscreen	--
①	*	Windscreen	1
②	*	Mounting Bracket	1
③	*	M5 Nylon Screw	4
④	*	Well Nut	4

* Part supplied with kit only and not available separately.

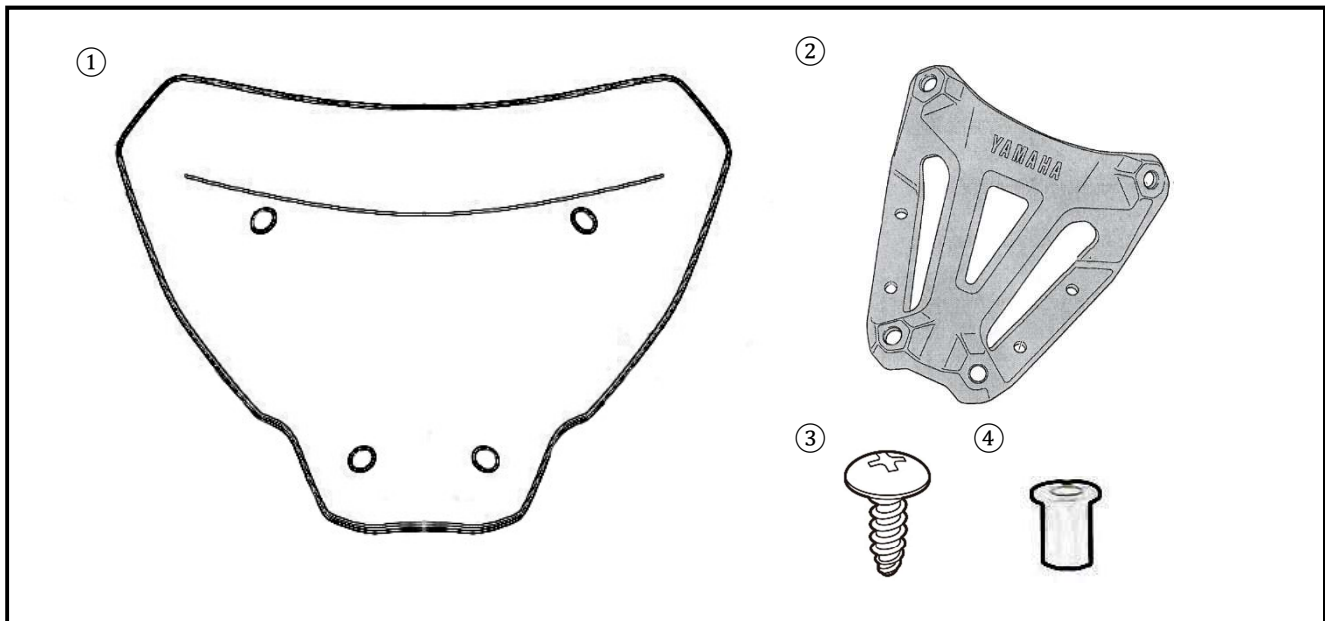


Fig. 1

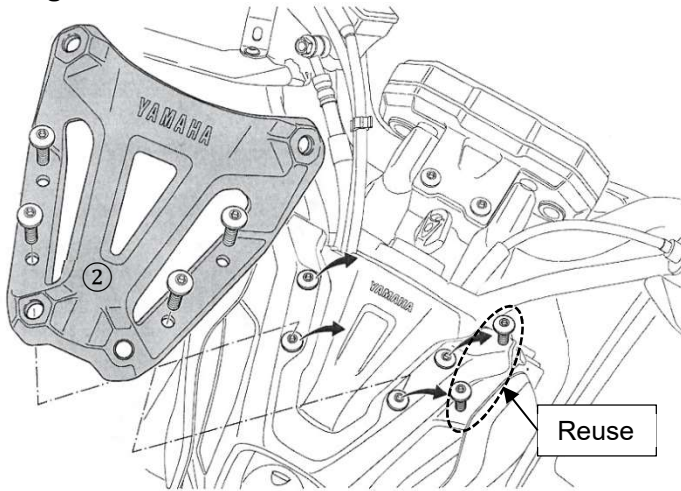


Fig. 2

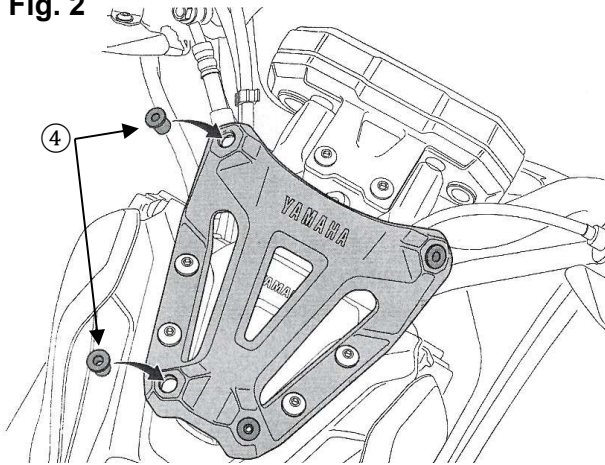
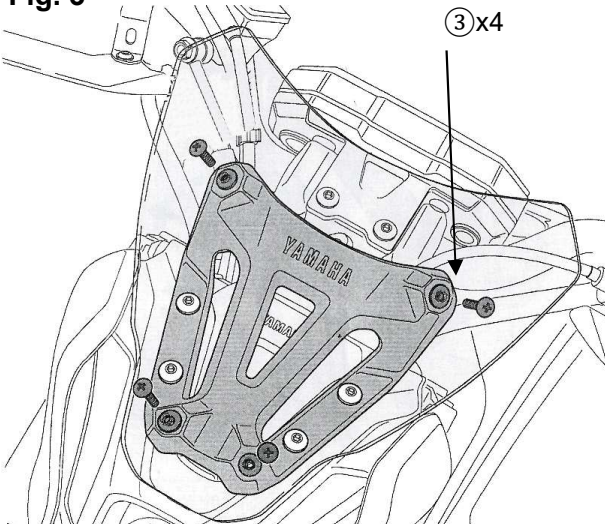


Fig. 3



PREPARATION:

- Place the motorcycle on a secure and level surface.
- Clean the mounting surfaces before beginning installation.

INSTALLATION:

1. Remove the stock hardware from the headlight housing. They will be used to attach the (2) Mounting Bracket from this kit. (Fig. 1)
2. Insert the four (4) Well Nuts on the (2) Mounting Bracket. (Fig. 2 and 3)
3. Thread in the stock hardware through the (2) Mounting Bracket and into the headlight housing. (Fig. 2 and 3)
4. Torque to 0.7Nm (0.07 m·kg or 6.1 in·lbs)
5. Place the (1) Windshield on the (2) Mounting Bracket and thread in the four (3) M5 Nylon Screws. (Fig. 2 and 3)
6. Torque to 0.7Nm (0.07 m·kg or 6.1 in·lbs)

MAINTENANCE:

Periodically, check torque on all hardware. If loose hardware is found, re-torque to specification.

CARE AND CLEANING:

Clean the windscreen with a cloth or sponge dampened with a neutral detergent, and after cleaning, thoroughly wash it off with water. For additional cleaning, use Yamalube® Windshield & Visor Plastic Cleaner & Conditioner (ACC-PLASP-OL-11).

NOTICE:

- Avoid using any alkaline or strong acid cleaner, gasoline, brake fluid, or any other solvent.
- Some cleaning compounds for plastics may leave scratches on surfaces of the windshield. Before using them, test by polishing an area which does not affect your visibility.

CUSTOMER SERVICE:

For further information see your Yamaha dealer.

ESTIMATED TIME TO INSTALL: 0.25 HRS